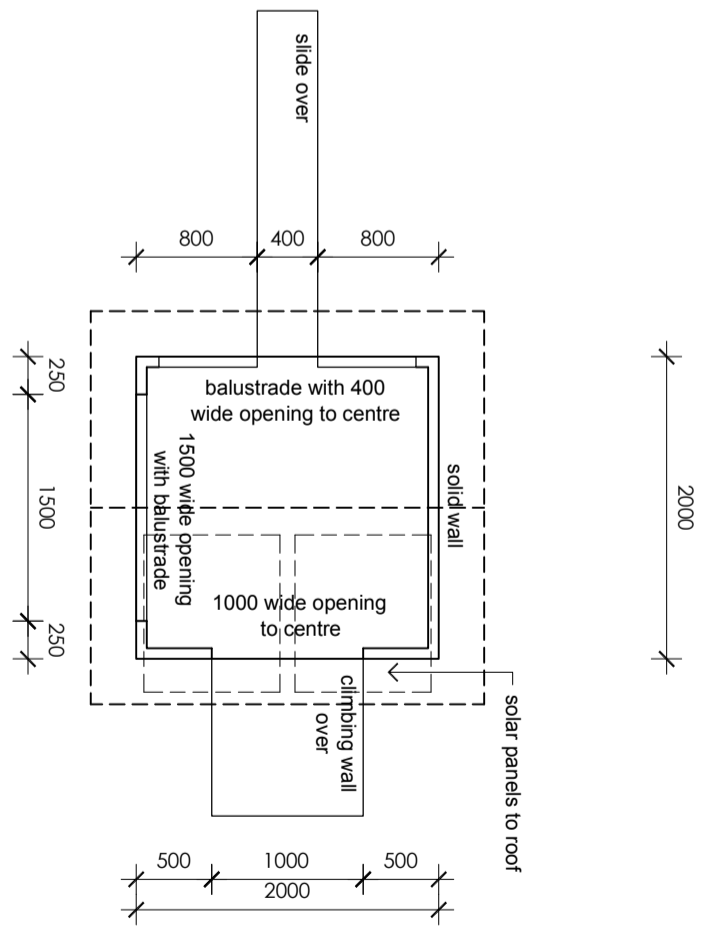
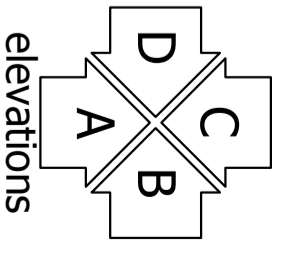


lower floor plan

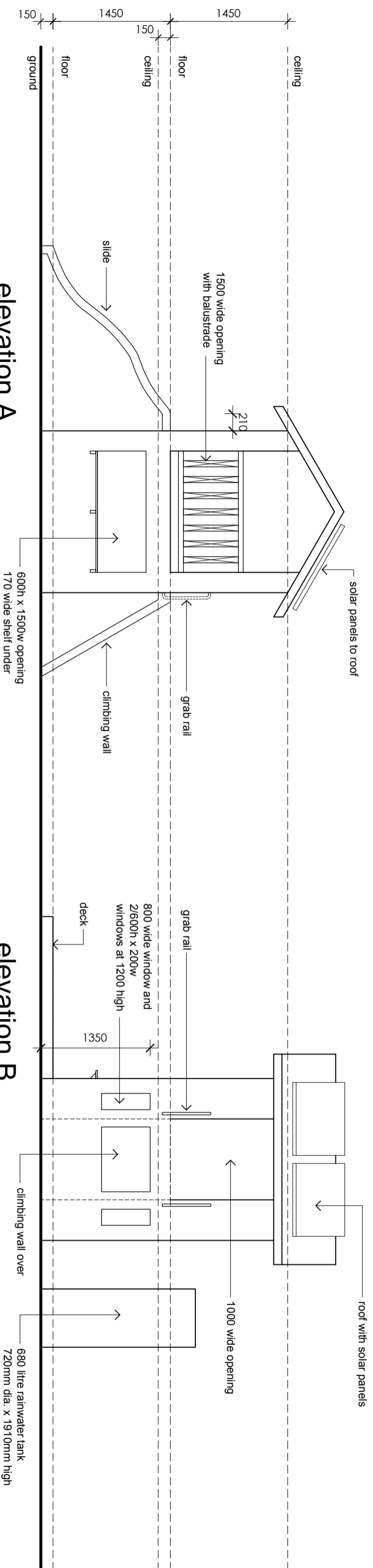


upper floor plan



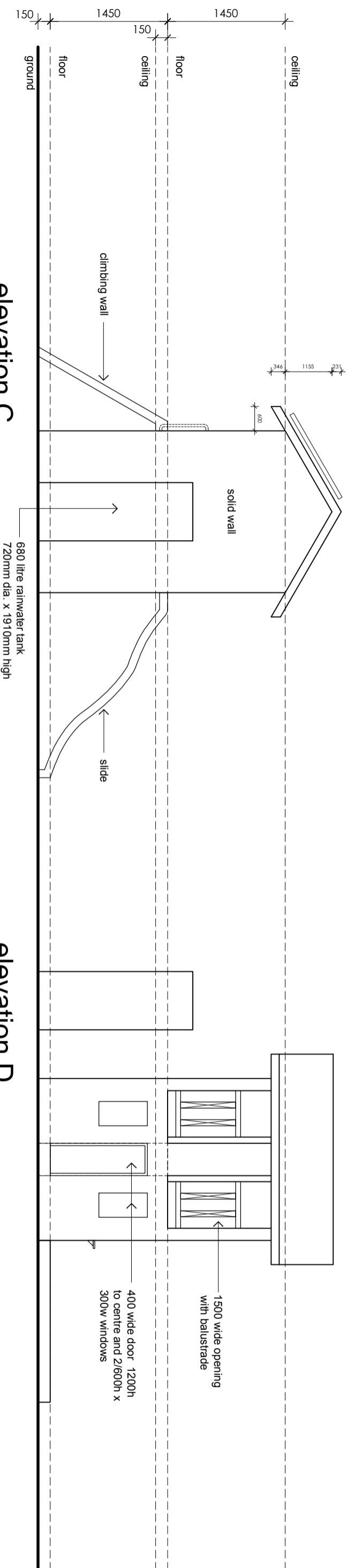
elevations

		Project: COOL CUBBY Proposed Children's Cubby House for Evans Head Pre-School Association Rous Water Richmond Landcare Inc.	
Wood Earth Stone xylosinusuous@yahoo.com 0419 715 820		Scale: 1:50 on A3 Sheet No.	Date: 28.02.11
Coryl Thompson		Revision: Preliminary Plans	These drawings are not builders instructions. Do not scale off drawings. Check all measurements on site before commencing construction. All building work shall comply with the B.C.A. All structural work is to be done in accordance with engineers drawings and specifications.



elevation A

elevation B



elevation C

elevation D

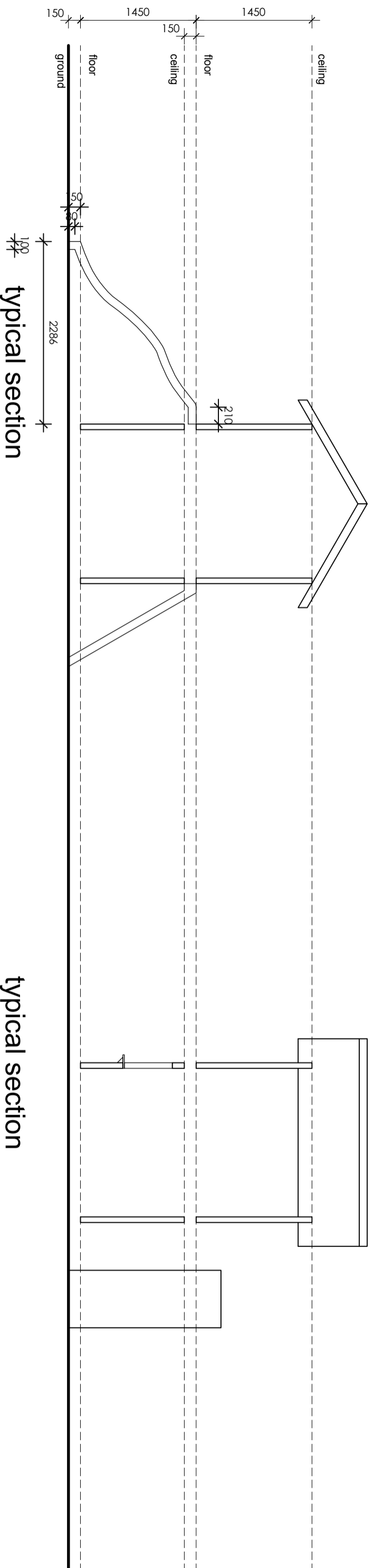
Wood Earth Stone

Corey THOMPSON xylosinusuous@yahoo.com 0419 715 820

Project:
COOL CUBBY
Proposed Children's Cubby House for
Evans Head Pre-School Association
Rous Water
Richmond Landcare Inc.

Scale: 1:50 on A3	Date: 28.02.11	Revision: Preliminary Plans
Sheet No. 02		

These drawings are not builders instructions.
Do not scale off drawings.
Check all measurements on site before
commencing construction.
All building work shall comply with the B.C.A.
All structural work is to be done in accordance
with engineers drawings and specifications.



xylosinusous Building & Design

Wood Earth Stone

Corey THOMSON xylosinusous@yahoo.com 0419 715 820

Project:
COOL CUBBY
 Proposed Children's Cubby House for
 Evans Head Pre-School Association
 Rous Water
 Richmond Landcare Inc.
 Drawn by Roy Parker. Copyright 2011 Xylosinusous

Scale:
 1:50 on A3
Sheet No.
03

Date:
 28.02.11

Revision:
 Preliminary Plans

These drawings are not builders instructions.
 Do not scale off drawings.
 Check all measurements on site before
 commencing construction.
 All building work shall comply with the B.C.A.
 All structural work is to be done in accordance
 with engineers drawings and specifications.